

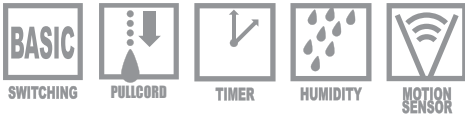
# Aria 100

Everyday ventilation



## KEY FEATURES

- Axial fan
- Ventilation up to 18.5 l/s
- Quiet – noise levels just 26 dB(A)
- Wall and ceiling mounting
- Ball-bearing motor
- Basic, Pull Cord, Humidity Timer and Motion sensor Timer version available
- IPX4 rated. Can be installed in Zone 2
- Complies with Building Regulations
- 2 year warranty



## Aria 100

The Aria 100 is a highly reliable, low energy axial fan and is perfect for those looking for an effective, entry level fan that fully complies with Building Regulations. Aria acts as an unobtrusive, cost effective extractor fan for homeowners that also makes installation simple for installers.

Aria is designed to adapt around your needs, as it can be easily mounted on the wall and ceilings of toilets,

en-suites and bathrooms. Thanks to its compact and unobtrusive design it becomes discrete when installed.

This fan doesn't compromise on quality, its ball-bearing motor guarantees the long-term performance of the unit. The Aria's axial impeller operates quietly to provide you with fresher, improved indoor air.



## MODELS

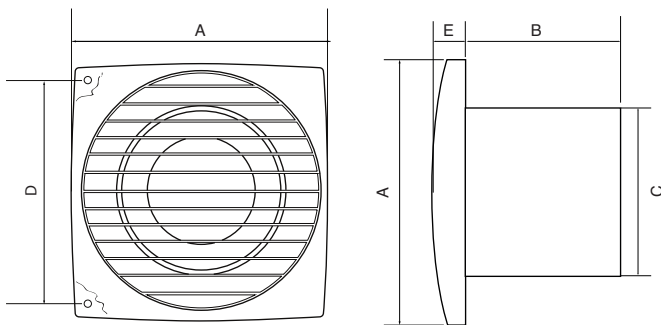
<b>Basic</b>	Control by Remote Switch
<b>Pull cord</b>	Pull cord can override remote switch operation
<b>Timer</b>	Timer can be set to run on between 2 and 30 minutes
<b>Humidity Timer</b>	Humidity sensor can be set between 60 – 90% RH
<b>Motion Sensor Timer</b>	PIR sensor activates fan



## TECHNICAL DATA

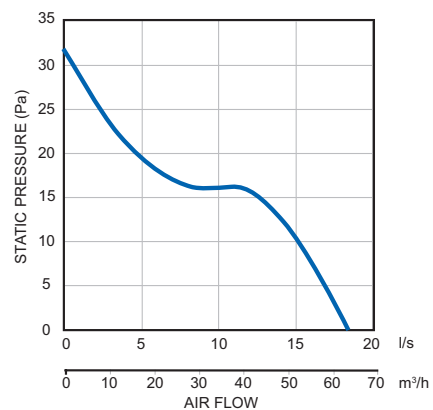
Specification	Aria 100B	Aria 100PC	Aria 100T	Aria 100HT	Aria 100MST
<b>Air flow m<sup>3</sup>/h / l/s</b>	66.5 / 18.5	66.5 / 18.5	66.5 / 18.5	66.5 / 18.5	66.5 / 18.5
<b>Fan type</b>	Axial	Axial	Axial	Axial	Axial
<b>Controls</b>	Basic	Pull Cord	Timer	Humidity Timer	Motion Sensor Timer
<b>Mounting</b>	Wall / Ceiling	Wall / Ceiling	Wall / Ceiling	Wall / Ceiling	Wall / Ceiling
<b>Sound Pressure dB(A) @ 3m</b>	26	26	26	26	26
<b>Power (W)</b>	6.3	6.3	6.3	6.3	6.3
<b>Amps</b>	0.027	0.027	0.027	0.027	0.027
<b>Specific Fan Power (W/l/s)</b>	0.34	0.34	0.34	0.34	0.34
<b>Duct Diameter (mm)</b>	100	100	100	100	100
<b>Voltage (V)</b>	230V / 1ph / 50-60Hz	230V / 1ph / 50-60Hz	230V / 1ph / 50-60Hz	230V / 1ph / 50-60Hz	230V / 1ph / 50-60Hz
<b>IP Rating</b>	IPX4	IPX4	IPX4	IPX4	IPX4
<b>Material Finish</b>	Plastic	Plastic	Plastic	Plastic	Plastic
<b>Weight (kg)</b>	0.56	0.56	0.56	0.56	0.56
<b>Dimensions (h x w x d) (mm)</b>	150 x 150 x 102	150 x 150 x 102	150 x 150 x 102	150 x 150 x 102	150 x 150 x 102
<b>Part number</b>	<b>90000687</b>	<b>90001400</b>	<b>90000688</b>	<b>90000689</b>	<b>90000690</b>

## DIMENSIONS (mm)



Model	A	B	C	D	E
<b>Aria 100</b>	150	102	100	122	17

## PERFORMANCE



## CONTROLS AND ACCESSORIES

A range of accessories including flexible and rigid ducting kits, controls, switches and grilles are available.

**Call: 01494 525252**

**Visit: [airflow.com](http://airflow.com)**

80000543 - Issue 2 04/21



**Airflow Developments Limited**  
Aidelle House, Lancaster Road,  
Cressex Business Park,  
High Wycombe, Buckinghamshire,  
United Kingdom, HP12 3QP

E-mail: [info@airflow.com](mailto:info@airflow.com)  
Telephone: +44 (0) 1494 525252

[airflow.com](http://airflow.com)

© Airflow Developments Limited. Airflow Developments Limited reserve the right, in the interests of continuous development, to alter specifications without prior notice. All orders are accepted subject to our conditions of sale which are available on request

